

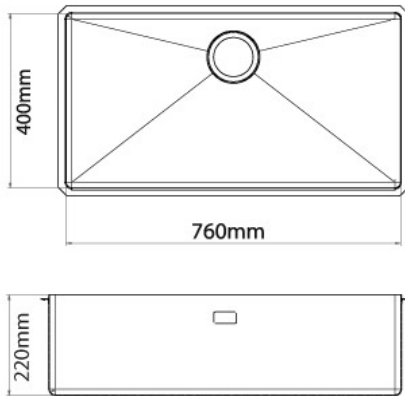
PRODUCT DATASHEET

PRFE900

Edge Single Bowl Sink. 760x400x220

Finish Steel Surface, Satin.
Material 1.2mm Type 304 Stainless Steel
Range Edge Elite

PRFE900



PRODUCT INFORMATION

Product Code: PRFE900
Configuration: Single Bowl Sink.
Installation: Undermount
Bowl Size: 760x400x220
Overall Size: 810x450x220
Cut Out Size: See CAD File
Minimum Cabinet: 900
Drain Size (mm): 90
Handed: Unhanded
Handmade: Handmade
Sound Damping: Sound Damping Pads.
Drain Grooves: Functional Drain Grooves.
Overflow Aperture: Overflow Aperture.
Resin Matrix: 25mm Machined Resin Matrix Rim

ADDITIONAL INFORMATION

Packaging: Single Box
Outer Box: 910x560x275
Gross Weight Kg: 12.55
Clips Included: N/A
Waste Set Included: No
Compatible Waste Set: COM024, COM018
CE Certification: Yes
Template Included: N/A

Edge Sinks Europe Ltd,
Kerlogue Business Park, Kerlogue, Wexford,
Y35A9PX, Ireland.
Tel: +353 53 912 2537. Mobile: +353 86 2596160.
sales@edaesinks.eu www.edaesinks.eu

EDGESINKS™
Seamless Integration

COMET

CE
05/10/2022