

## Features & Specification

E305

# EDGESINKS™

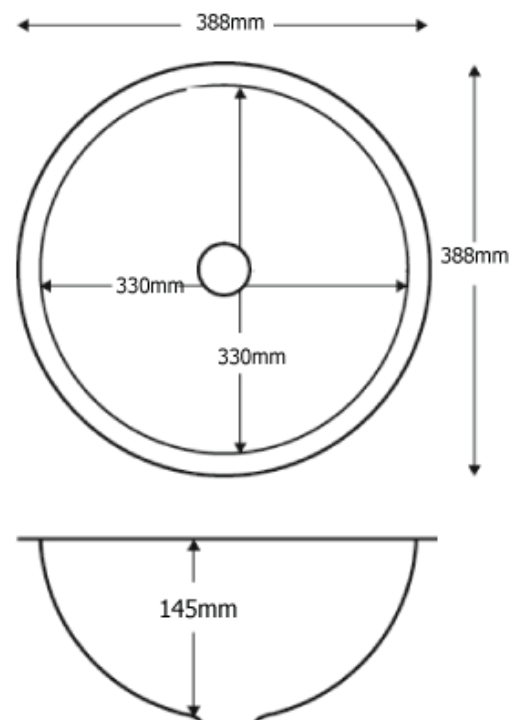
Seamless Integration

- ✓ Vanity sink
- ✓ Bowl size Ø 330mm x 145mm
- ✓ 1.2mm, 304 stainless steel
- ✓ Underside protective coating
- ✓ Sound damping pads
- ✓ Machined resin matrix rim
- ✓ Steel surface, brushed satin finish
- ✓ Can only be installed in new worktops
- ✓ Undermount installation only
- ✓ This sink does not have an overflow
- ✓ Waste fittings are not included
- ✓ Supplied without adhesive or template



## Can be seamlessly installed into

- ✓ Solid Surface
- ✓ Core surface materials
- ✓ Compact laminate
- ✓ Laminate
- ✓ Hardwood
- ✓ Quartz
- ✓ Ceramic
- ✓ Marble



## Waste & Overflow set

ART NO. 305.100