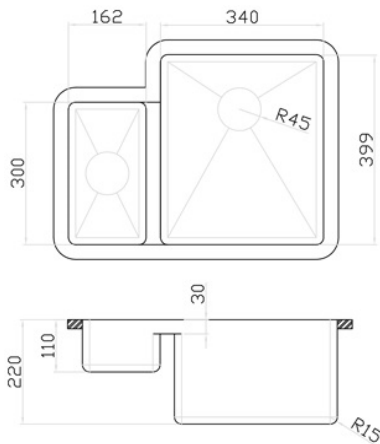


PRODUCT DATASHEET

PRFE350L

Edge Bowl & a Half Sink. 340x400x220 and 162x300x110

Finish Steel Surface, Satin.
Material 1.2mm Type 304 Stainless Steel
Range Edge Elite



PRODUCT INFORMATION

Product Code: PRFE350L
Configuration: Bowl & a Half Sink.
Installation: Undermount
Bowl Size: 340x400x220 and 162x300x110
Overall Size: 582x450
Cut Out Size: See CAD File
Minimum Cabinet: 600
Drain Size (mm): 90
Handed: Small Bowl on Left
Handmade: Handmade
Sound Damping: Sound Damping Pads.
Drain Grooves: Functional Drain Grooves.
Overflow Aperture: Overflow Aperture.
Resin Matrix: 25mm Machined Resin Matrix Rim

ADDITIONAL INFORMATION

Packaging: Single Box.
Outer Box: 700x575x275
Gross Weight Kg: 9.85
Clips Included: N/A
Waste Set Included: No
Compatible Waste Set: COM025, COM019
CE Certification: Yes

Edge Sinks Europe Ltd,
Kerlogue Business Park, Kerlogue, Wexford,
Y35A9PX, Ireland.
Tel: +353 53 912 2537. Mobile: +353 86 2596160.
sales@edaesinks.eu www.edaesinks.eu

EDGESINKS™
Seamless Integration

COMET

CE
05/10/2022