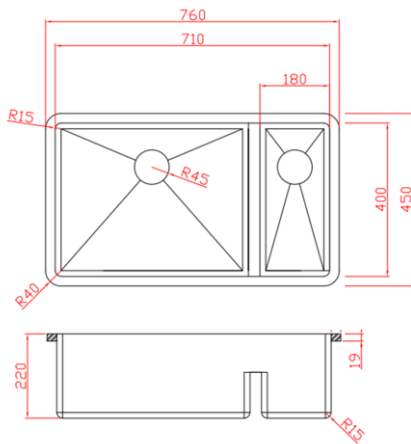


PRODUCT DATASHEET

PRFE650

Edge Bowl & a Half Sink 540x400x220 and 180x400x220

Finish Steel Surface, Satin.
Material 1.2mm Type 304 Stainless Steel
Range Edge Elite



PRODUCT INFORMATION

Product Code: PRFE650
Configuration: Bowl & a Half Sink.
Installation: Seamless Undermount
Bowl Size: 500x400x220 and 180x400x220
Overall Size: 760x450x220
Cut Out Size: See CAD File
Minimum Cabinet: 800
Drain Size (mm): 90
Handed: Small Bowl on Right
Handmade: Handmade
Sound Damping: Sound Damping Pads.
Drain Grooves: Functional Drain Grooves.
Overflow Aperture: Overflow Aperture.
Resin Matrix: 25mm Machined Resin Matrix Rim

ADDITIONAL INFORMATION

Packaging: Single Box

Outer Box 920x575x275

Gross Weight Kg: 13.6

Compatible Waste Set: COM025,COM019

CE Certification: Yes

Edge Sinks Europe Ltd,
Kerlogue Business Park, Kerlogue, Wexford,
Y35A9PX, Ireland.

Tel: +353 53 912 2537. Mobile: +353 86 2596160.
sales@edaesinks.eu www.edaesinks.eu

EDGESINKS™
Seamless Integration

COMET

CE
05/10/2022