

PRODUCT DATASHEET

NUM400_400

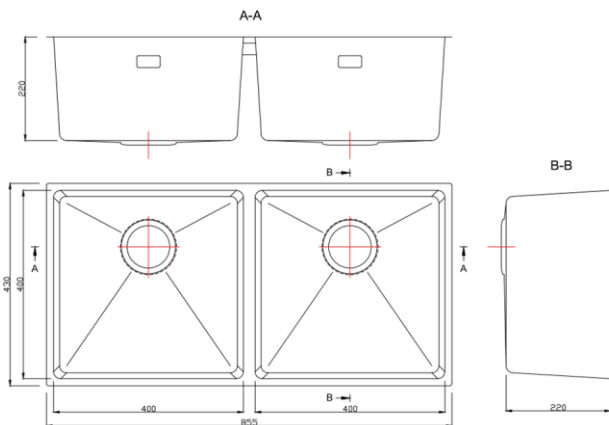
NAPOLI Handmade Double Bowl Undermount Sink
400x400x220/400x400x220

Finish Steel Surface, Satin.
Material 1.0mm Type 304 Stainless Steel
Range Venetian.



PRODUCT INFORMATION

Product Code: NUM400_400
Configuration: Bowl & Half Sink.
Installation: Undermount
Bowl Size: 400x400x220 And 400x400x220
Overall Size: 855x430
Cut Out Size: Per Template
Minimum Cabinet: 900
Drain Size (mm): 90
Raduis: 15mm Radius corners
Handed: Unhanded
Handmade: Handmade, Inclined 3.5 degrees.
Sound Damping: Sound Damping Pads.
Drain Grooves: Functional Drain Grooves.
Overflow Aperture: Overflow Aperture.



ADDITIONAL INFORMATION

Packaging: Single Box or Nested.
Outer Box 910x560x275
Gross Weight Kg: 11.6
Clips Included: Yes
Waste Set Included: Yes
Compatible Waste Set: COME004x2
CE Certification: Yes
Template Included: Yes

Edge Sinks Europe Ltd,
Kerlogue Business Park, Kerlogue, Wexford,
Y35A9PX, Ireland.
Tel: +353 53 912 2537. Mobile: +353 86 2596160.
sales@edaesinks.eu www.edaesinks.eu

EDGE SINKS
Complete Sink Solutions

COMET

CE
17/10/2023